

| | |
|-------|-----------------------------|
| brand | MC CULLOCH - PARTNER |
|-------|-----------------------------|

| | | |
|------|--------|-----------|
| date | NOV/02 | SHEET 1/4 |
|------|--------|-----------|

| Model | Prefix |
|---------------------------------|--------|
| VIRGINIA MH 542 - MH 555 | 07 |
| PARTNER HG 17- HG 22 | 07 |
| BRICOMARCHE BMTH 2555 | 07 |

| Product number |
|------------------------------|
| 953900128 - 953900129 |
| 953900213 - 953900180 |
| 953900262 |

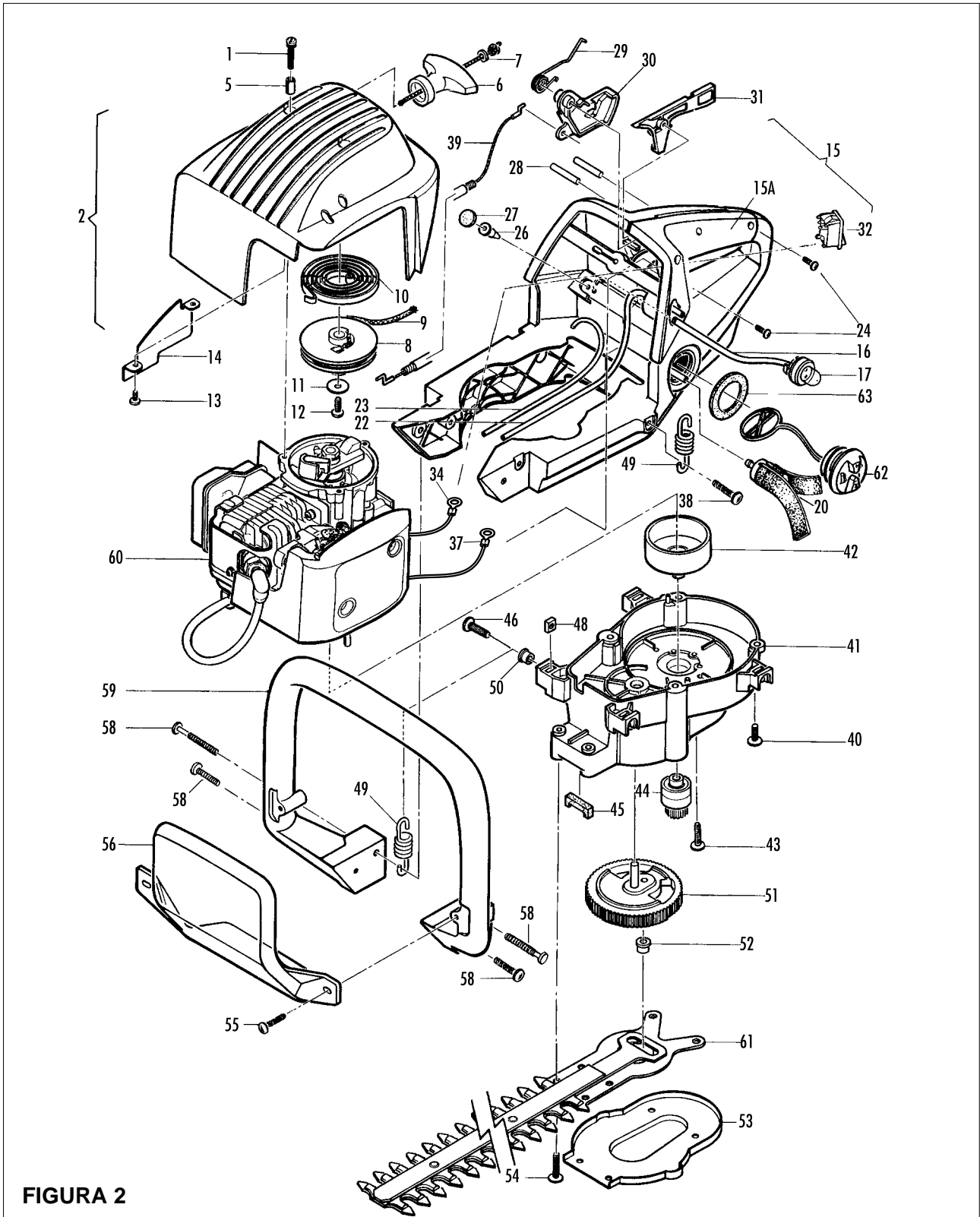


FIGURA 2

| | |
|-------|-----------------------------|
| brand | MC CULLOCH - PARTNER |
|-------|-----------------------------|

| | | |
|------|--------|-----------|
| date | NOV/02 | SHEET 2/4 |
|------|--------|-----------|

| Model | Prefix |
|---------------------------------|--------|
| VIRGINIA MH 542 - MH 555 | 07 |
| PARTNER HG 17- HG 22 | 07 |
| BRICOMARCHE BMTH 2555 | 07 |

| Product number |
|------------------------------|
| 953900128 - 953900129 |
| 953900213 - 953900180 |
| 953900262 |

FIGURA 2

| pos | P/N McC | P/N ELX | Qty | Description |
|--------|-----------|-----------|-----|---------------------------|
| 1 | 241963 | 538241963 | 3 | SCREW |
| 2 | 242741 | 538242741 | 1 | GOLD AIR FILTER COVER |
| 2 | 242112 | 538242112 | 1 | GREEN AIR FILTER COVER |
| 5 ● | 241617 | 538241617 | 3 | BUSHING 5X10 |
| 6 ● | 241778 | 538241778 | 1 | HANDLE-STARTER |
| 7 ● | 235612 | 538235612 | 1 | WASHER |
| B 8 ● | 241620 | 538241620 | 1 | STARTER PULLEY |
| A 9 ● | 241746 | 538241746 | 1 | STARTER ROPE |
| B 10 ● | 241619 | 538241619 | 1 | STARTER SPRING |
| 11 ● | 241703 | 538241703 | 1 | STARTER WASHER |
| 12 ● | 300294 | 538300294 | 1 | SCREW |
| 13 ● | 111069 | 538111069 | 2 | SCREW 8X16X.375 |
| 14 ● | 241758 | 538241758 | 1 | AIR CONDUCTOR |
| C 15 | 241866 | 538241866 | 1 | REAR HANDLE ASSY |
| 15A ● | 241846 | 538241846 | 1 | HALF HANDLE LEFT |
| B 16 ● | 241777 | 538241777 | 1 | MIX PIPE |
| C 17 ● | 224242-01 | 538022424 | 1 | PRIMER REMOTE |
| A 20 ● | 240452 | 538240452 | 1 | PICK UP FUEL |
| B 22 ● | 241776 | 538241776 | 1 | PRIMER PIPE |
| B 23 ● | 241775 | 538241775 | 1 | TUBE MIX |
| 24 ● | 240862 | 538240862 | 3 | SCREW 4X18 |
| C 26 ● | 322199 | 538322199 | 1 | VALVE DUCKBILL |
| C 27 ● | 241717 | 538241717 | 1 | VALVE VERNAY FELT |
| 28 ● | 241762 | 538241762 | 2 | PIN TRIGGER |
| 29 ● | 241637 | 538241637 | 1 | LEVER SPRING |
| C 30 ● | 241635 | 538241635 | 1 | GAS LEVER |
| C 31 ● | 241636 | 538241636 | 1 | SAFETY LEVER |
| C 32 ● | 228277 | 538228277 | 1 | ON-OFF SWITCH |
| 34 ● | 241867 | 538241867 | 1 | GROUND CABLE |
| 37 | 241630 | 538241630 | 1 | IGNITION CABLE/INTERR. |
| 38 | 111117 | 538111117 | 2 | SCREW 10-14X1" |
| C 39 | 241642 | 538241642 | 1 | GAS CABLE |
| 40 | 111119 | 538111119 | 4 | SCREW M4X0,7X14 TRUSS TRX |
| 41 | 249083 | 538249083 | 1 | COVER CLUTCH ASSY |
| C 42 ● | 241771 | 538241771 | 1 | CLUTCH DRUM |
| 43 ● | 218644 | 538218644 | 2 | SCREW |
| 44 ● | 225007-01 | 538225007 | 1 | GEAR |

| pos | P/N McC | P/N ELX | Qty | note |
|--------|-----------------|-----------|-----|-------------------------|
| 45 ● | 241633 | 538241633 | 1 | SAND SHIELD FELT |
| 46 ● | 217936 | 538217936 | 4 | SCREW 10-24X.75 |
| 48 ● | 218005 | 538218005 | 4 | NUT SQUARE 10-24 |
| C 49 ● | 241634 | 538241634 | 4 | SPRING |
| 50 ● | 241765 | 538241765 | 4 | BUSHING |
| C 51 | 242457 | 538242457 | 1 | BLADE GEAR |
| B 52 | 242521 | 538242521 | 1 | BUSH |
| 53 | 241761 | 538241761 | 1 | GEAR BOX COVER |
| 54 | 111117 | 538111117 | 6 | SCREW 10-14X1" |
| 55 | 111117 | 538111117 | 2 | SCREW 10-14X1" |
| 56 | 241654 | 538241654 | 1 | FRONT HANDLE PROTECTION |
| 58 | 219883 | 538219883 | 4 | SCREW |
| 59 | 241868 | 538241868 | 1 | FRONT HANDLE |
| 60 | FIGURA 1 | | | |
| C 61 | 242458 | 538242458 | 1 | 17" BLADE ASSY |
| C 61 | 242854 | 538242854 | 1 | 22" BLADE ASSY |
| B 62 | 241234 | 538241234 | 1 | FUEL CAP ASSY |
| C 63 ● | 235510 | 538235510 | 1 | O-RING MIX CAP |

A= ALTA ROTAZIONE
B=MEDIA ROTAZIONE
C=BASSA ROTAZIONE

A=HIGH MOVING
B=MEDIUM MOVING
C=SLOW MOVING

A=HAUTE DEMANDE
B=MOYENNE DEMANDE
C=BASSE DEMANDE

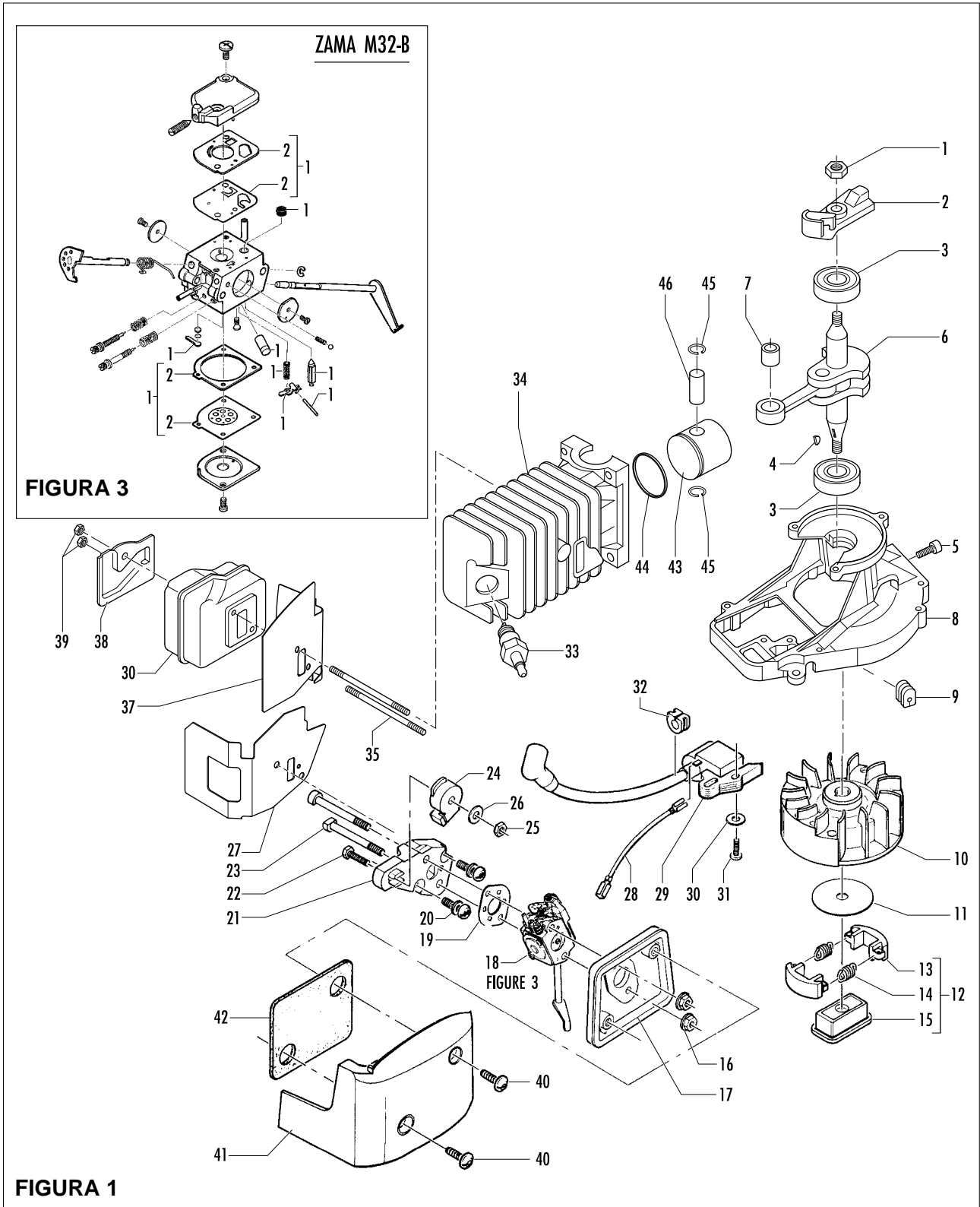
A=GROßE NACHFRAGE
B=MITTELMAßIGE
C=WENIGE NACHFRAGE

| | |
|-------|-----------------------------|
| brand | MC CULLOCH - PARTNER |
|-------|-----------------------------|

| | | |
|------|--------|-----------|
| date | NOV/02 | SHEET 3/4 |
|------|--------|-----------|

| Model | Prefix |
|---------------------------------|--------|
| VIRGINIA MH 542 - MH 555 | 07 |
| PARTNER HG 17- HG 22 | 07 |
| BRICOMARCHE BMTH 2555 | 07 |

| Product number |
|------------------------------|
| 953900128 - 953900129 |
| 953900213 - 953900180 |
| 953900262 |



| | |
|-------|-----------------------------|
| brand | MC CULLOCH - PARTNER |
|-------|-----------------------------|

| | | |
|------|--------|-----------|
| date | NOV/02 | SHEET 4/4 |
|------|--------|-----------|

| Model | Prefix |
|---------------------------------|--------|
| VIRGINIA MH 542 - MH 555 | 07 |
| PARTNER HG 17- HG 22 | 07 |
| BRICOMARCHE BMTH 2555 | 07 |

| Product number |
|------------------------------|
| 953900128 - 953900129 |
| 953900213 - 953900180 |
| 953900262 |

FIGURA 1

| pos | P/N McC | P/N ELX | Qty | Description |
|------|-----------------|-----------|-----|-----------------------------|
| 1 | 241624 | 538241624 | 1 | NUT M8 |
| 2 | 241784 | 538241784 | 1 | STARTER PAWL ASSY |
| C 3 | 242030 | 538242030 | 2 | BEARING/GROMMET ASSY |
| C 4 | 227631 | 538227631 | 1 | KEY |
| 5 | 227565 | 538227565 | 4 | SCREW M5X25 |
| 6 | 242003 | 538242003 | 1 | CRANKSHAFT ASSY |
| C 7 | 235742 | 538235742 | 1 | NEEDLE BEARING 0 9X14X12 MM |
| 8 | 242029 | 538242029 | 1 | ENGINE CARTER CABRIO 251 |
| 9 | 241607 | 538241607 | 1 | FAIR LEAD |
| 10 | 241796 | 538241796 | 1 | FLYWHEEL |
| 11 | 241604 | 538241604 | 1 | CLUTCH DUST SHIELD 25CC |
| B 12 | 241793 | 538241793 | 1 | CLUTCH ASSY |
| 13 | ● 241743 | 538241743 | 2 | CLUTCH ROTOR |
| A 14 | ● 241794 | 538241794 | 2 | SPRI CLUTCH CABRIO/HC 25 |
| 15 | ● 241789 | 538241789 | 1 | ROTOR-CLUTCH |
| 16 | 111058 | 538111058 | 2 | NUT 10-24 FLANGE |
| 17 | 241647 | 538241647 | 1 | AIR FILTER COVER |
| 18 | FIGURA 3 | | | |
| 19 | 241600 | 538241600 | 1 | SPACER/CARB. GASKET |
| 20 | 235806 | 538235806 | 2 | SCREW M5 X 20 TCE |
| C 21 | 241590 | 538241590 | 1 | CARB. SPACER |
| 22 | 240131 | 538240131 | 1 | SCREW M5X20 |
| 23 | 111057 | 538111057 | 2 | SCREW 10-24 |
| 24 | 241644 | 538241644 | 1 | GAS GUIDE-CABLE |
| 25 | 235642 | 538235642 | 1 | NUT M5 |
| 26 | 235163 | 538235163 | 1 | WASHER |
| 27 | 242516 | 538242516 | 1 | CIL./SPAC. GASKET |
| 28 | 241630 | 538241630 | 1 | IGNITION CABLE/INTERR. |
| C 29 | 241749 | 538241749 | 1 | IGNITION COIL |
| 30 | 242131 | 538242131 | 2 | MUFFLER |
| 31 | 235806 | 538235806 | 2 | SCREW M5 X 20 TCE |
| 32 | 236322 | 538236322 | 1 | GROMMET |
| A 33 | 92879 | 538092879 | 1 | SPARK PLUG RDJ&J |
| C 34 | 241800 | 538241800 | 1 | CYLINDER CABRIO 251 |
| 35 | 241804 | 538241804 | 2 | MUFFLER STUD BOLT |
| C 36 | 242131 | 538242131 | 1 | MUFFLER |
| C 37 | 242517 | 538242517 | 1 | GASKET |

| pos | P/N McC | P/N ELX | Qty | note |
|------|----------|-----------|-----|------------------------|
| 38 | 322231 | 538322231 | 1 | EXHAUST BAFFLE |
| 39 | 235642 | 538235642 | 2 | NUT M5 |
| 40 | 218644 | 538218644 | 2 | SCREW |
| 41 | 242742 | 538242742 | 1 | GOLD FILTER COVER |
| 41 | 242113 | 538242113 | 1 | GREEN AIR FILTER COVER |
| C 42 | 241652 | 538241652 | 1 | AIR FILTER |
| C 43 | 248177 | 538248177 | 1 | 25cc PISTON KIT |
| B 44 | ● 240002 | 538240002 | 1 | PISTON RING (1PC) |
| 45 | ● 235008 | 538235008 | 2 | RING SNAP INT. |
| 46 | ● 241735 | 538241735 | 1 | PISTON PIN D=9 |

FIGURA 3

| | | | | |
|-----|-----------|-----------|---|-----------------------|
| C - | 241646 | 538241646 | | CARBURETOR M32-B |
| B 1 | ● 300465 | 538300465 | 1 | CARB.REP.KIT |
| A 2 | ●● 300473 | 538300473 | 1 | DIAPHRAM + GASKET KIT |

A= ALTA ROTAZIONE
B=MEDIA ROTAZIONE
C=BASSA ROTAZIONE

A=HIGH MOVING
B=MEDIUM MOVING
C=SLOW MOVING

A=HAUTE DEMANDE
B=MOYENNE DEMANDE
C=BASSE DEMANDE

A=GROÙE NACHFRAGE
B=MITTELMAÙßIGE
C=WENIGE NACHFRAGE